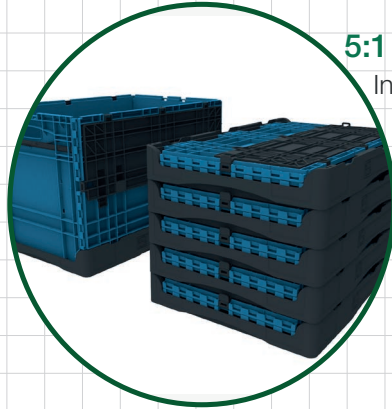


# Collapsible Container



Loadhog's new ergonomic Collapsible Container is a strong, lightweight and versatile tote able to reduce down to 1/5 of its height within its own footprint.

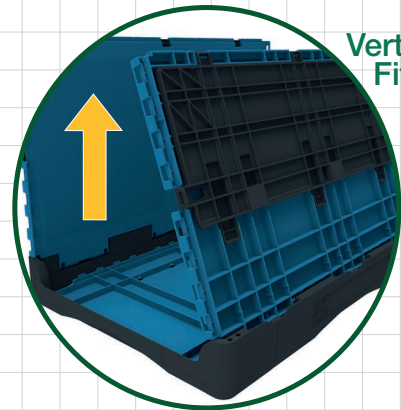
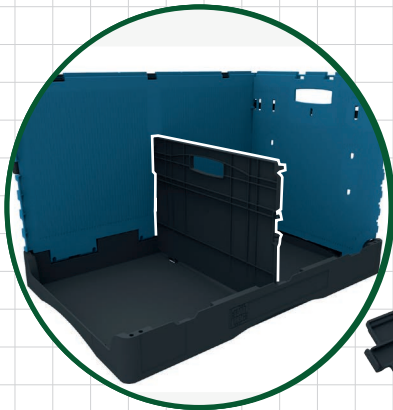


## 5:1 Stacking Ratio

Increased vehicle fill and storage.

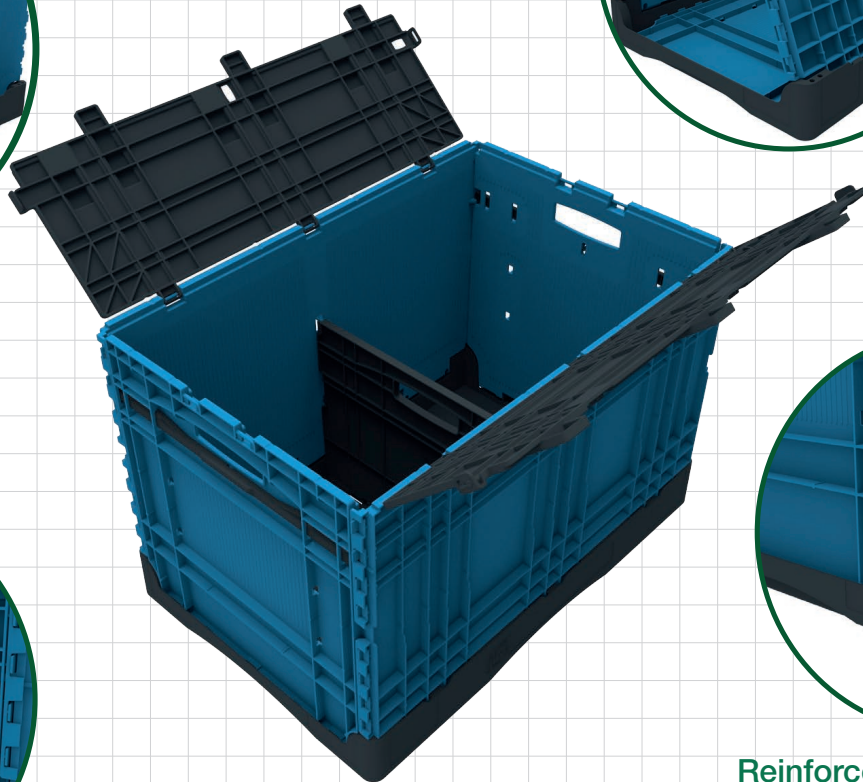
## Optional Divider

Improves picking and replenishment efficiency.



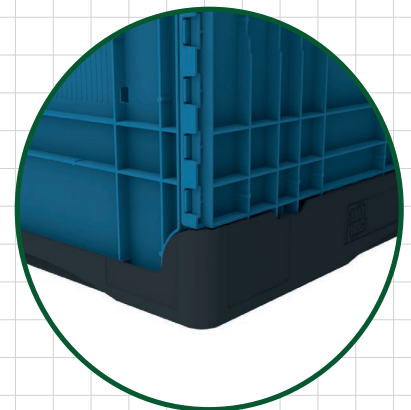
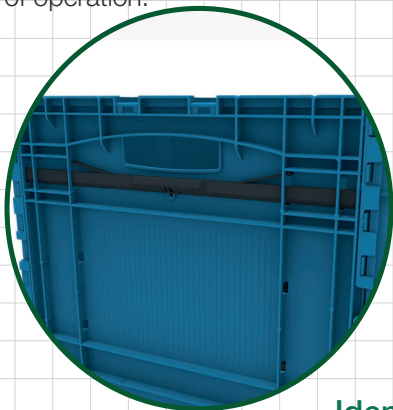
## Vertical Bump Fit Walls

Walls remain vertical without handling.



## Ergonomic Handle

Ensuring ease and speed of operation.

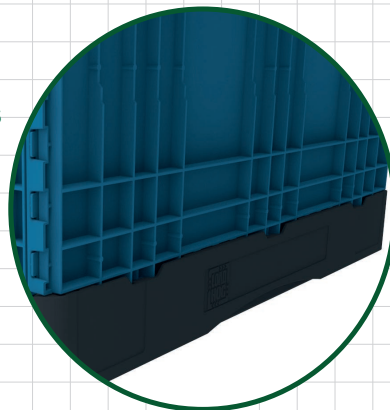


## Reinforced Corners & Base

Increases capacity, impact resistance and durability.

## Identification Features

Various labelling locations & Optional embossed labelling.



# Collapsible Container



## Specification Sheet

All dimensions are nominal and subject to manufacturing tolerances.

Dimensions (mm)		Volume	
External Length	600	Usable Height	385 mm
External Width	400	Capacity	80 litres
External Height	400		
Internal Length	567		
Internal Width	367		
Internal Height	385		
Collapsed Height	77.5		
Collapsed Stacking Pitch	70		

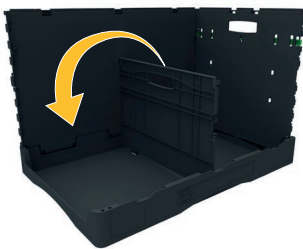
Pallet Quantities		Material	
Pallet Type	Industry Pallet	Material	High Impact Polypropylene
Quantity per pallet	125	Temp Resistance	-20°C to +40°C
Height	1.75m		

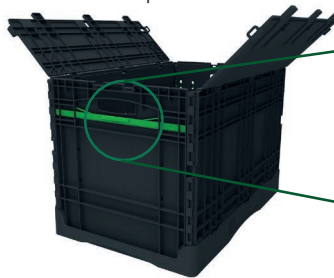
Weight & Performance (kg)	
Weight (Divider & Lid)	4.1
Weight (Lid)	3.9
Weight (Divider)	3.4
Weight (No Options)	3.2
Payload	20
Maximum Stacking Load	240
Dynamic Stacking Load	120

## Collapsing the Container Constructed & Collapsed again in 9 seconds

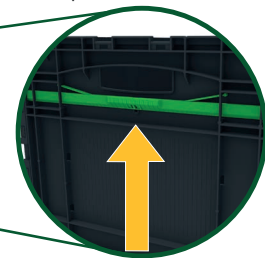
Collapse integrated divider



Ensure lids are open



Pull leaver up



Collapse short end walls



Collapse long side walls



Stack for Storage & Transit

